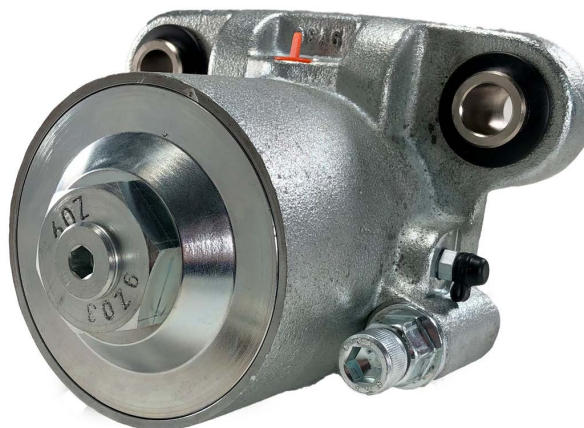




M90 INTEGRATED SAHR

FEATURES

- // Capable of 33375 N minimum of park clamp force and 40940 N maximum
- // Sealed actuation mechanism
- // One piece iron housing
- // Self adjusting mechanism
 - Maintains consistent clamp force
 - Eliminates required pad adjustment by end user
 - Minimizes warranty due to end user interface
- // Compact size ideal for driveline mounting
- // Low hold-off pressures (Hyd Oil)
- // Simple low torsional load mounting
- // Common tool manual release access

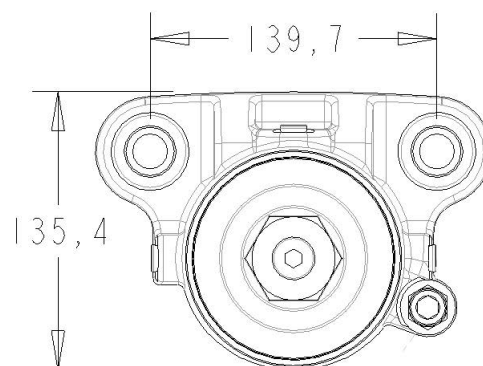


SPECIFICATIONS

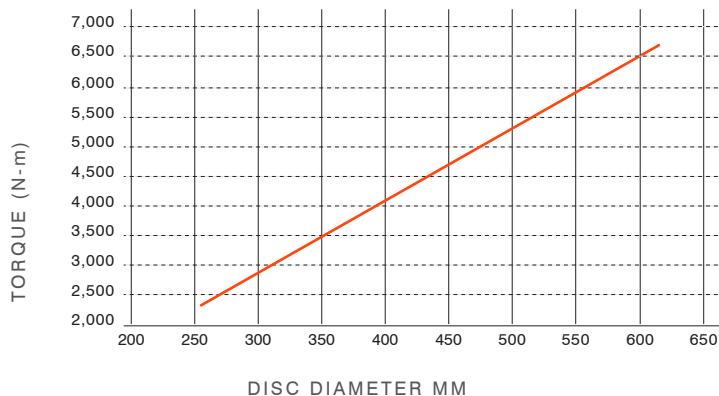
WEIGHT	~9.5 kg
ROTOR DIAMETER	254mm To 610mm
ROTOR THICKNESS	9.5mm To 25.4mm
LINING TYPE	Sintered
TOTAL LINING AREA	29 cu. cm
USABLE LINING THICKNESS PER PAD	3.2 mm

Specifications are guidelines only and subject to change. Consult Hayes Performance Systems for specific model, part number, and assembly drawings - contact@hbpsi.com.

REFERENCE DIMENSIONS



PARK BRAKE TORQUE INFORMATION



BRAKE INFORMATION

MIN HOLD-OFF PRESSURE	100 Bar
MAX OPERATING PRESSURE	207 Bar
FILL VOLUME	~0.049 Liters
MIN HOLD-OFF VOLUME	0.033 Liters
ADJUSTED HOLD-OFF VOLUME	0.008 Liters

Park Brake Torque Formula: $T = 15,164 * \mu * (DIA / 2 - 1)$

T = developed torque in lbs-in. DIA = diameter of rotor in inches
 μ = friction coefficient. assume 0.35, P = applied pressure in PSI